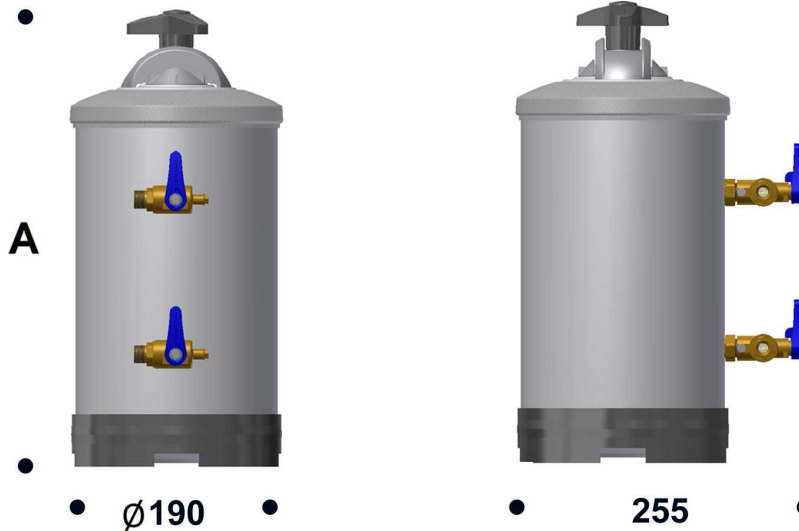


MANUAL WATER SOFTENER LT8

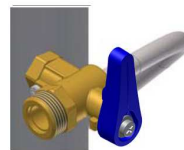


TECHNICAL DATA

Height . . . A mm 400
 Weight Kg 7,5
 Supply water pressure min 1 bar, max 8 bar
 Maximum flow rate recommended 1000 l/h
 Room temperature min 4°C - max 25°C
 Salt content per regeneration 1 kg

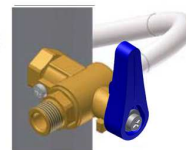
WATER NETWORK CONNECTIONS

3/4" G



DVL111003

3/8" G



DVN111003

Ø10 mm FAST CONNECTIONS



DVF111003

PRODUCT CODE

SUPPLY WATER CHARACTERISTICS

- Drinking water
- Temperature: min 4°C - max 25°C
- Crystal-clear water (SDI 1)
- Maximum hardness 90°f

THE PACKAGING CONTAINS:

- 1 steel AISI 304 cylinder holding 8 litres
- 5,6 litres of cationic resins adapt for softening
- 1 instruction manual
- 1 unloading pipe

LITRES OF SOFTENED WATER ACCORDING TO ITS HARDNESS

°f	20	30	40	50	60	CYCLIC CAPACITY [m ³ ·°f]
°d	11	16	22	28	33	
ppm CaCO ₃	200	300	400	500	600	
	1680	1120	840	672	560	33.6

THE WATER SOFTENER IS SUITED FOR:

